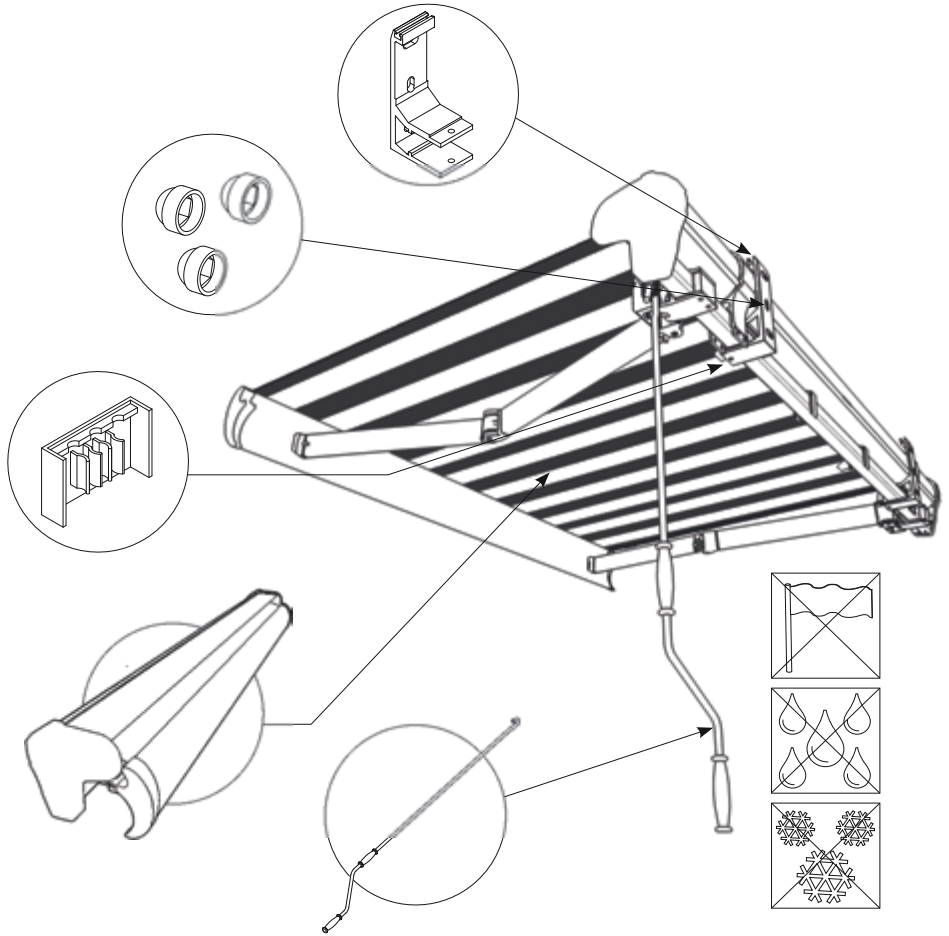


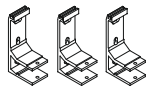
# SemiCassette



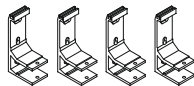
$L \leq 3,5m$



$3,5m < L \leq 4,7m$



$4,7m < L \leq 5,9m$



$L > 5,9m$

