



All controls support 433MHz



R:Radio
Mechanic Limit + Built-in Receiver

R: Радио приемник
• Механическая регулировка конечных положений

DM 45R

Radio Tubular Motor Markizy Open/Screens

By DM35R
DM45R
DM59R
DM45RM
DM59RM
DM45RQ
DM35RQL



Version No. : B/06

Specification

T

Technical Support



477 MHz R type motor has no running hint

1.



One channel of emitter can control 20 receivers at most at the same time.

2.

Radio Tubular Motor

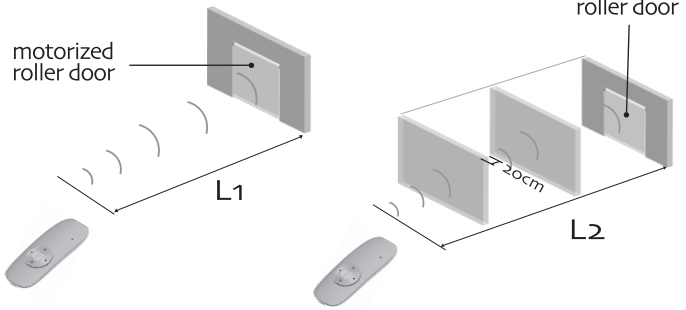


One R motor maximum can store 20 channels, over 20 channels, if still need add new channels, it will be repeating covered in turn from second channel.



In the process of set up emitter and R type motor, every time press the key, motor will whistle one time as the signal (not press any key within 4 seconds after the whistle, the motor will turn to the original state). After the success of the set up, motor continuous whistle many times as signal.
Receiver in the mode of dot function, press up key and down key within 2 seconds, emitter control motor working in dot function; if continuous press more than 2 seconds motor will last working.
Group control channel match code is unworkable, when group channel work together, the emitter can't be programmed, while function of dot-move, emitter-add and emitter-cancel still means.

Control Range



	L1 Open	L2 Partition	Emission frequency
230V/50Hz	200m	35m	433.92MHz
120V/60Hz	200m	35m	

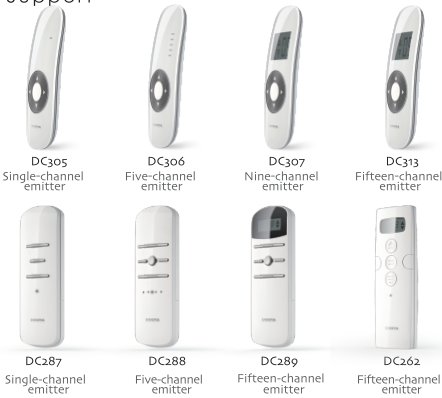
T

Matchable emitter and motors

Technical Support



For the emitters without setting button like DC316,your can press Up button and Stop button at the same time to work as the same function as setting button.

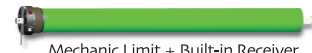


DM35R
R: Radio



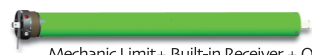
Mechanic Limit + Built-in Receiver

DM45R
R: Radio



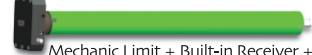
Mechanic Limit + Built-in Receiver

DM45RQ
RQ: Quiet Radio



Mechanic Limit+ Built-in Receiver + Quiet Device

DM45RM
RM: Radio With Manual



Mechanic Limit + Built-in Receiver + Manual

DM59R
R: Radio



Mechanic Limit + Built-in Receiver

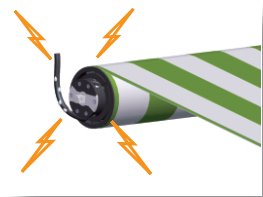
DM59RM
RM: Radio With Manual



Mechanic Limit + Built-in Receiver + Manual



Attention

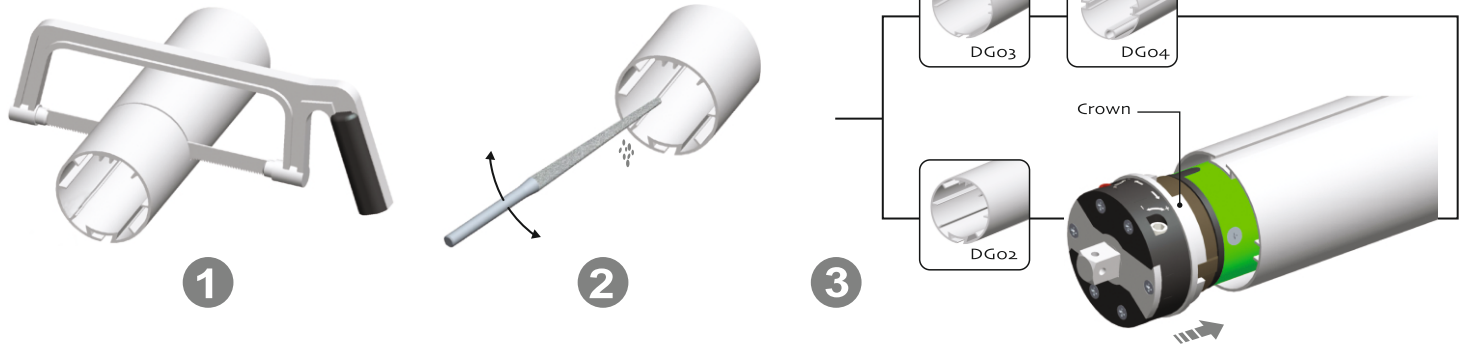


1

Crown installation

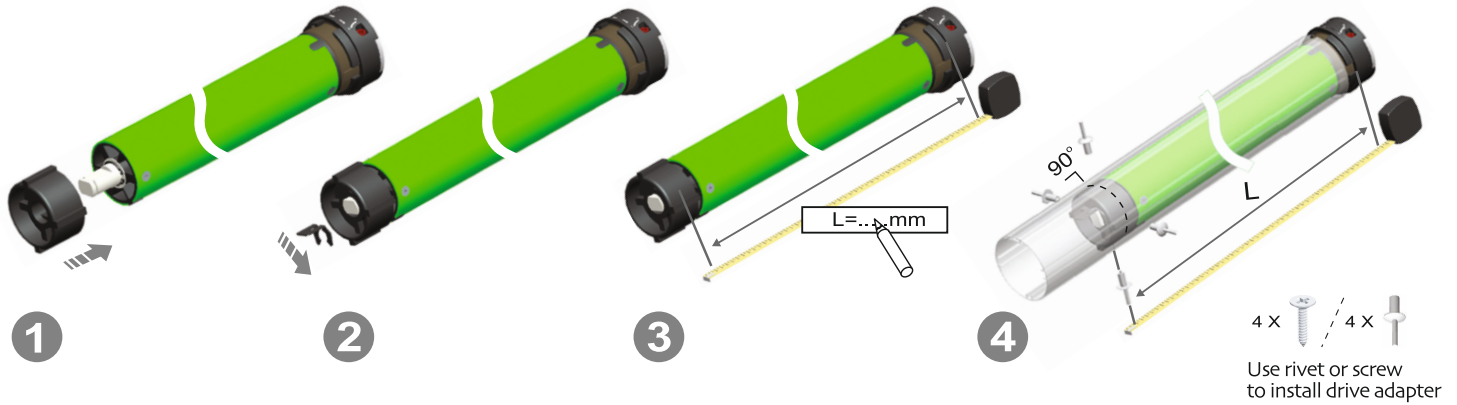


! Forbidden drill through crown and inner gear wheel



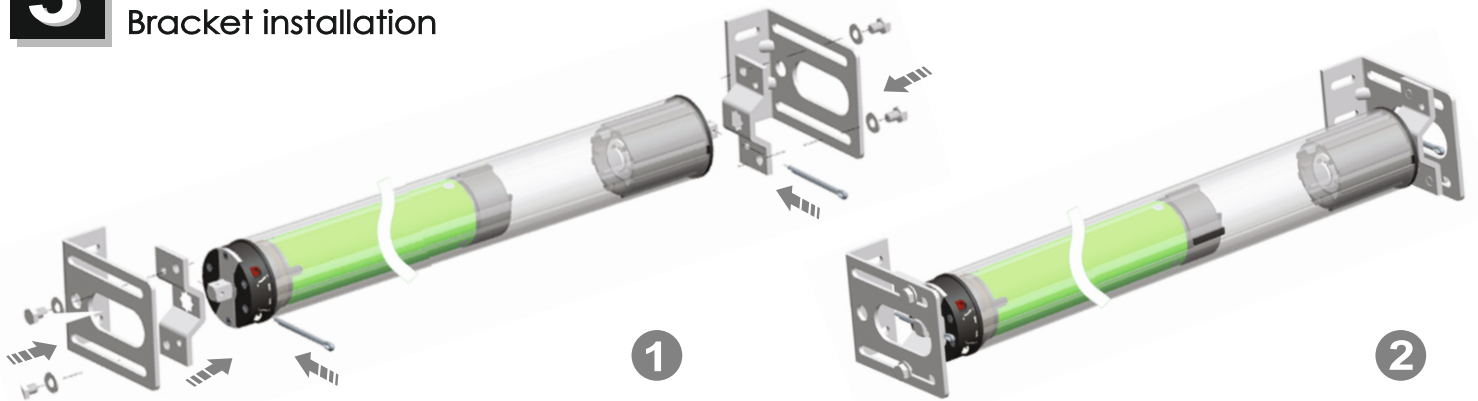
2

Drive adapter installation



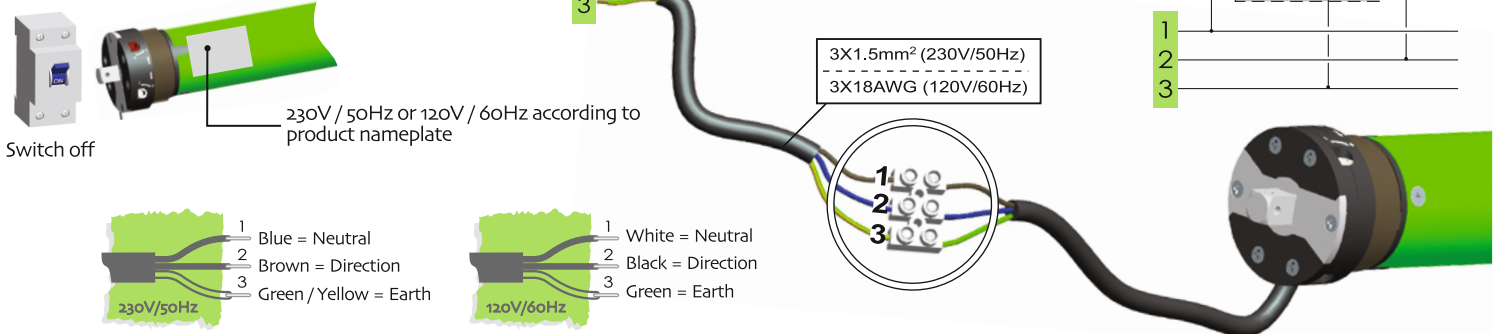
3

Bracket installation



4

Circuit installation



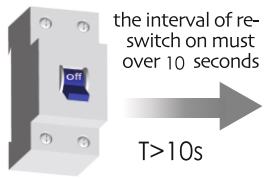
5

Programming the first transmitter The first method

настройка пульта.
метод первый



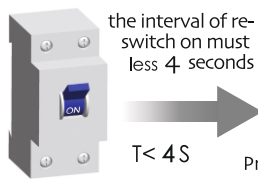
The interval of each button must within 4 seconds of re-setting, otherwise the system will restore the original state.



the interval of re-switch on must over 10 seconds

T > 10s

Switch off
- выключить



the interval of re-switch on must less 4 seconds

T < 4S

Switch on
- включить



Press the P2 button for twice continuously
The motor will beep twice

- два раза нажать P2
двигатель издаст 2 раза звук «бип»



Press the UP button, The motor will beep several times

- нажать кнопку «верх»
двигатель издаст сигнальный звук

Delete all the datas of the motor and the new emitter has been programmed.

ok

Set up is ok
The up limit button control the motor clockwise

- настройка завершена

The second method

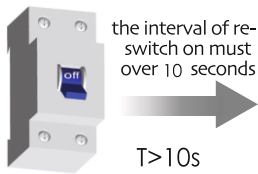
настройка пульта.
метод второй



Delete all the datas of the motor and the new emitter has been programmed.



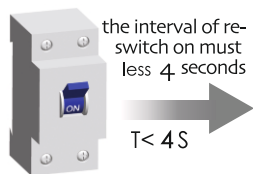
The interval of each button must within 4 seconds of re-setting, otherwise the system will restore the original state.



the interval of re-switch on must over 10 seconds

T > 10s

Switch off
- выключить



the interval of re-switch on must less 4 seconds

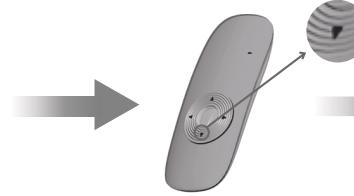
T < 4S

Switch on
- включить



Press the P2 button for twice continuously
The motor will beep twice

- два раза нажать P2
двигатель издаст 2 раза звук «бип»



Press the DOWN button, The motor will beep several times

- нажать кнопку «вниз»
двигатель издаст сигнальный звук

ok

Set up is ok
The down limit button control the motor clockwise

- настройка завершена

6

Up limit setting

настройка крайнего верхнего положения



When motor doesn't work stop rotating red or white worm with regulator.



Switch on
- включить



Press up button one time
- нажать кнопку «вверх»



Using special regulator to adjust "+" direction, and rotating white worm when need to increase the up distance

- с помощью регулятора вращать в верхнем положении



When up limit distance achieves the desired location, stop rotating white worm and press the stop button

- при достижении верхнего положения нажать кнопку «стоп»



ok

Up limit setting is ok

- верхнее положение настроено

7

Down limit setting



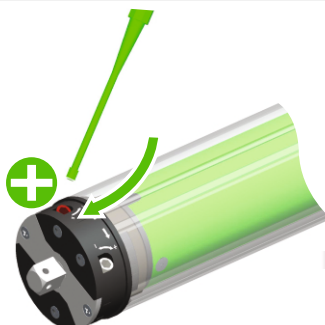
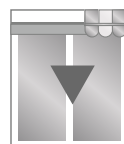
Please do not use regulator adjust red and white limit screw when the tubular motor stop.



Switch on
- включить



Press down button one time
- нажать кнопку «вниз»



Using special regulator to adjust "+" direction, and rotating red worm when need to increase the down distance

- с помощью регулятора вращать в нижнем положении



When down limit distance achieves the desired location, stop rotating red worm and press the stop button

- при достижении нижнего положения нажать кнопку «стоп»



ok

Down limit setting is ok

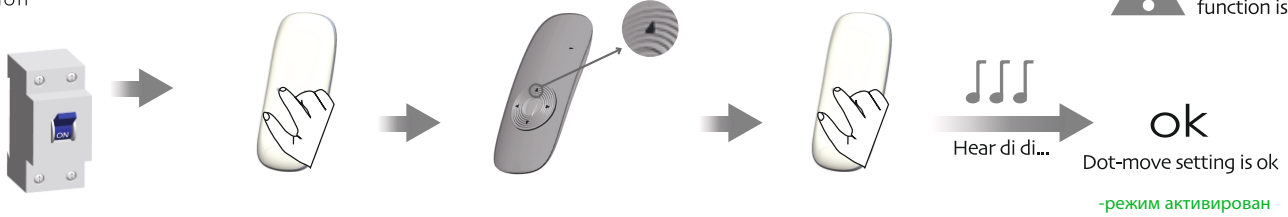
- нижнее положение настроено

A Dot-move setting

Additional Function

настройка пошагового режима

repeat setting, function is cancelled



Switch on
-включить

Press setting button once the motor will beep once
-нажмите кнопку настройки один раз, двигатель издаст звуковой сигнал

Press the UP button, The motor will beep several times
-нажмите кнопку «вверх», двигатель издаст звуковой сигнал

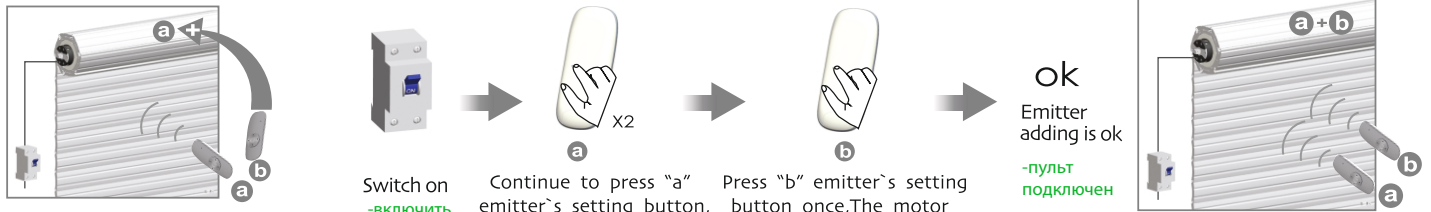
Press setting button once the motor will beep several times
-нажмите кнопку настройки, двигатель издаст звуковой сигнал несколько раз

-режим активирован

A Add Emitter

Additional Function

добавление пульта



Switch on
-включить

Continue to press "a" emitter's setting button, The motor will beep twice

-на первом пульте нажать кнопку «а» два раза

Press "b" emitter's setting button once, The motor will beep several times

-на первом пульте нажать кнопку «b» один раз

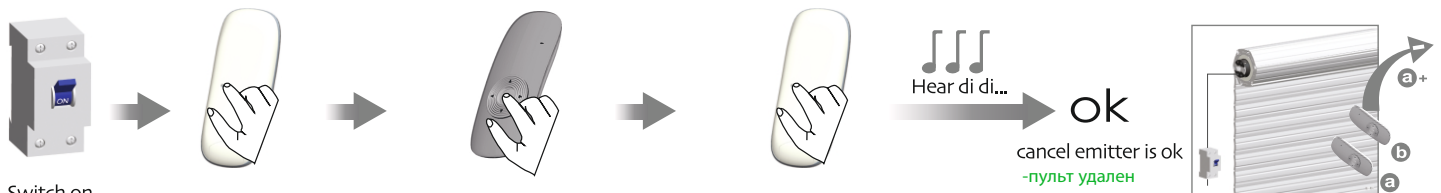
OK
Emitter adding is ok
-пульт подключен

A Cancel Emitter

Additional Function

удаление пульта

Canceling emitter is that remove all the emitter memory of the motor



Switch on
-включить

Press setting button once the motor will beep once
-нажмите кнопку на пульте, после того как мотор издаст звуковой сигнал «бип» один раз

Press the STOP button, The motor will beep once
-нажать «стоп», звуковой сигнал «бип» один раз

Press setting button once the motor will several times
-нажать кнопку «настройка», когда мотор издаст несколько сигналов

Hear di di di...
OK
cancel emitter is ok
-пульт удален

! Common failures and solutions

Attention

	Fail-phenomena	Failure causes	solutions failure recovery
1	Switch on, the drive adapter runs in one-way operation	Inside limit switch of motor doesn't open	Crown running one circle in the opposite direction of the drive adapter, then it works
2	motor starts slowly or not work after connect power	a. Power voltage is slow b. Wiring error c. Overload d. Improper installation	a. Adjust power to rated data b. Check circuit and correct wiring connecting c. Rated torque associated with the installation of the load d. Re-install the motor
3	Motor stops suddenly after running	Motor stops suddenly after running	Motor will automatically resume work after 20 minutes cooling
4	Abnormal sound during roller blinds in operation	Outer tube is too long, led the rolling shutter connects with both sides of bracket too tightly	If idler is active, propering make the tube shorter to avoid too tight status.